

NOMINAL SIZE		A	B
mm	inch	mm	mm
8	1/4	26	21
10	3/8	30	24
15	1/2	36	30
20	3/4	43	36
25	1	51	42
32	1 1/4	64	54
40	1 1/2	68	58
50	2	81	70
65	2 1/2	99	86
80	3	113	100

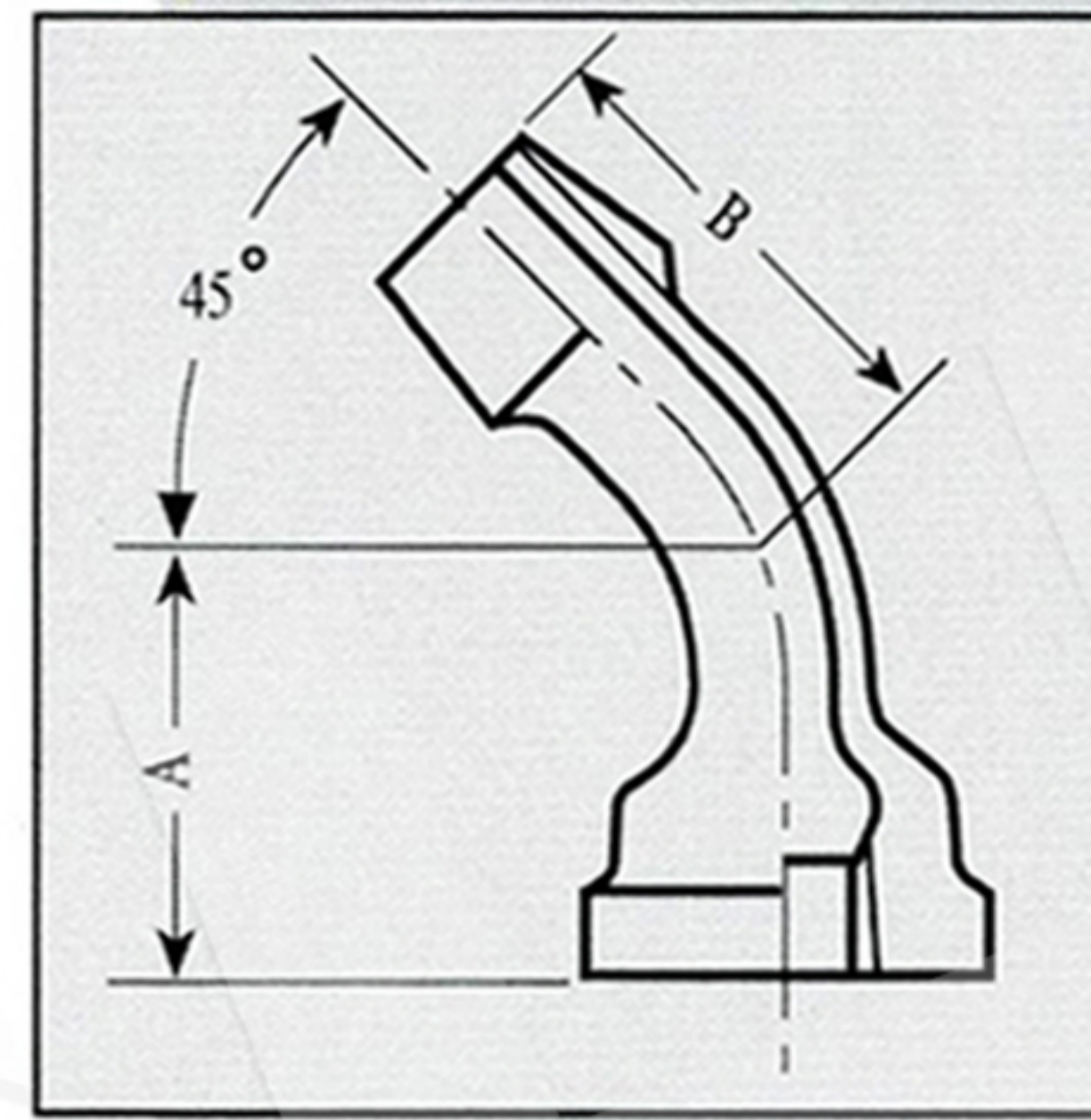


FIG.752
Long Sweep Bends, Banded, 45°, M&F (BE M/F 45°)